

Digital DRIVE for Brushless motors SMD Series

Plug incremental encoder with Open Collector output

Incremental Encoder Plug

Table of contents

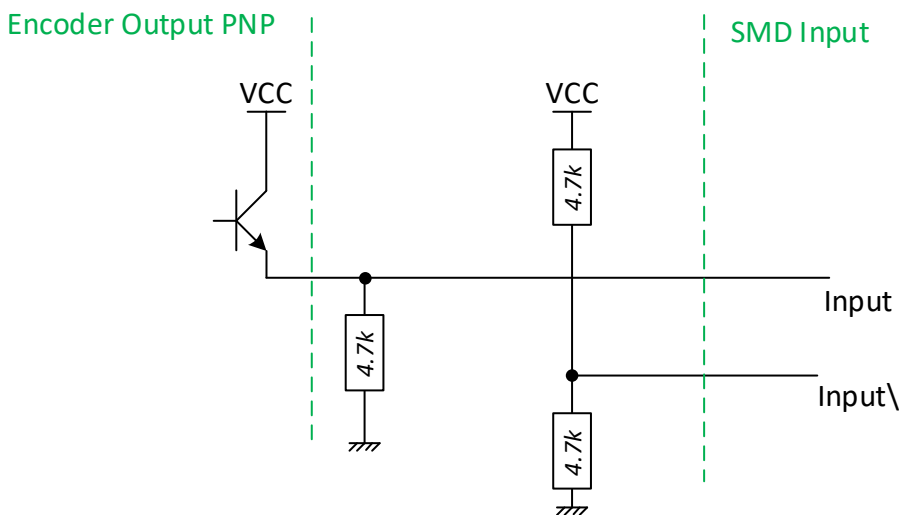
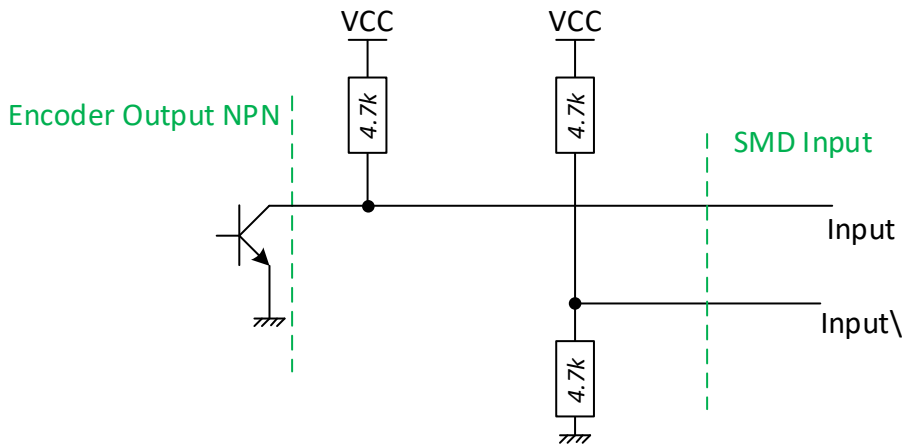
INCREMENTAL ENCODER INPUT ADAPTATION 1

R2030	AG (SERAD)	21/07/2020	First edition
Revision	Edited by	Date	Modification

Incremental encoder input adaptation

The incremental encoder inputs of the SMD series (A, B, Z) which could be also a Pulse/Direction encoder (Pulse/Dir), are differential inputs.

Some encoder have differential output, but some other has open collector output (NPN or PNP). So you need to make some adaptations to be compliant with SMD input.



This scheme must be done on all used inputs: {A, A\}, {B, B\}, {Z, Z\} or {Pulse, Pulse\}, {Dir, Dir\} or {Cw, Cw\}, {Ccw, Ccw\}